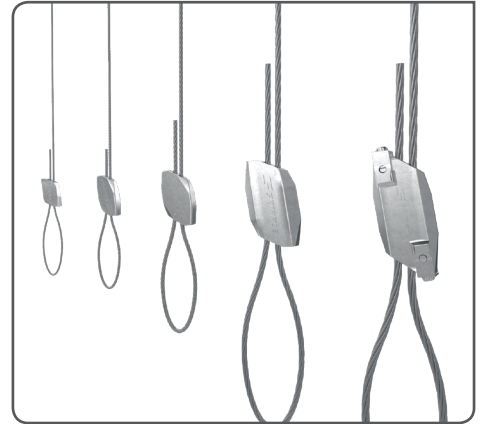


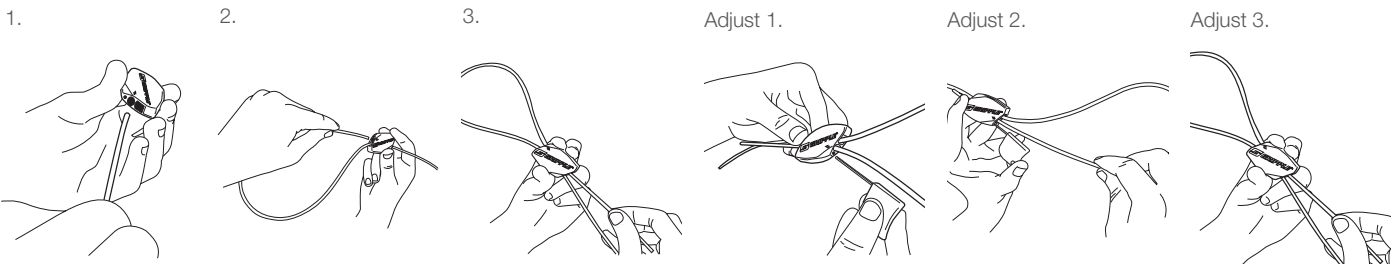
Used to suspend a variety of HVAC, mechanical and electrical services from different substrates.

FEATURES / BENEFITS

- Ideal for fast suspension of cable containment, pipework, air conditioning
- Up to six times faster to install than traditional hanging systems
- Versatile and simple to use
- Strong, safe and industry approved
- Aesthetically discreet and lightweight
- Supplied in ready-to-use kits, comprising a length of wire, pre-crimped End Fixing, Gripple Hanger and Setting Key

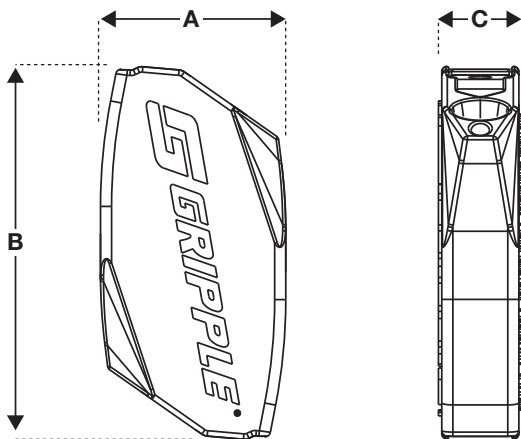


INSTALLATION & ADJUSTMENT



Ensure a minimum 75 mm of tail wire exits the hanger.

SPECIFICATION



Dimension	No. 1 (mm)	No. 2 (mm)	No. 3 (mm)	No. 4 (mm)	No. 5 (mm)
A	16	18	26	37	43
B	24	34	43	62	106
C	6	8	8	11	13

AVAILABLE END FIXINGS



For more options on available end fixings please contact us or visit www.gripple.com

SUBMITTAL INFORMATION

Safe Working Load:

- No. 1 - 10 kg
 - No. 2 - 45 kg
 - No. 3 - 90 kg
 - No. 4 - 225 kg
 - No. 5 - 325 kg
- All with a 5:1 safety factor

Material:

- Housing** - Type ZA2 Zinc
- Wedge** - Sintered steel hardened to min. 56 Rockwell C
- Spring** - Stainless Steel (Type 302)
- End Cap** - UV stabilised homopolymer propylene