

Stainless Steel Hanger



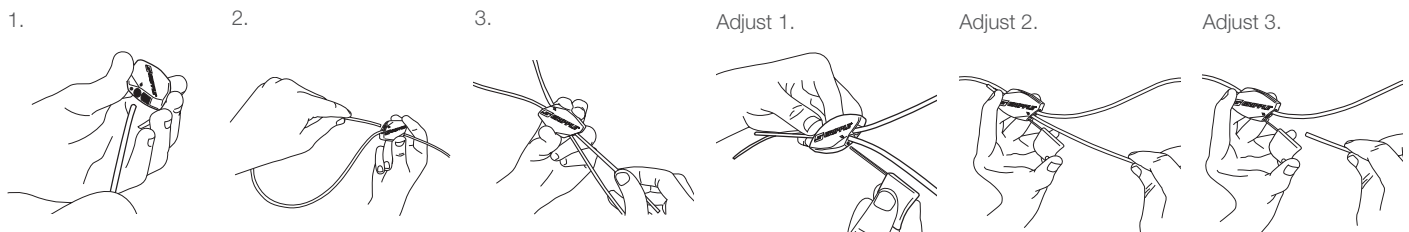
The Stainless Steel Hangers are used to suspend a variety of HVAC, mechanical and electrical services in the food industry and high humidity environments.

FEATURES / BENEFITS

- Stainless steel housing and springs are corrosion resistant and durable in humid and saturated environments
- Ceramic rollers provide extra strength and corrosion resistance
- Aesthetically discreet and lightweight
- Available in two sizes with load ratings of 45 kg (No.2) and 90 kg (No.3)
- Supplied as a ready to use kit

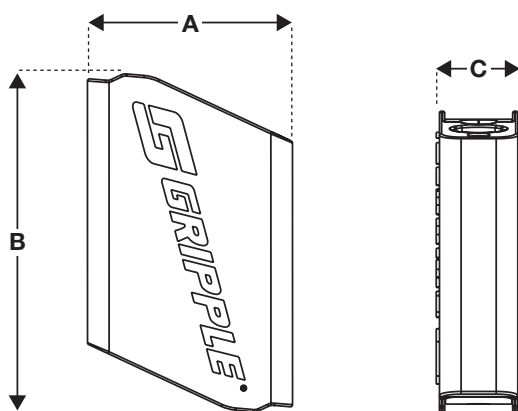


INSTALLATION & ADJUSTMENT



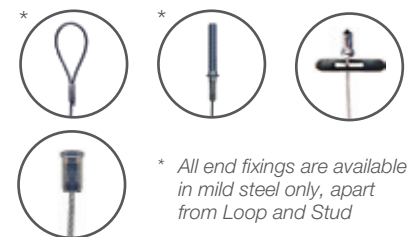
Ensure a minimum 75 mm of tail wire exit the hanger.

SPECIFICATION



Dimension	No.2 (mm)	No.3 (mm)
A	17.4	19
B	24.2	27.7
C	8	8

AVAILABLE END FIXINGS



* All end fixings are available in mild steel only, apart from Loop and Stud

For more options on available end fixings please contact us or visit www.grippple.com

SUBMITTAL INFORMATION

Safe Working Load:

Ambient Load ratings

No.2 - 45 kg (5:1)

No.3 - 90 kg (5:1)

Material:

Housing - 316L Stainless Steel

Roller - Sintox FA

Spring - Stainless Steel (type 302)

End Cap - PP CP UV Stabilised

PI-SSTEELHANGER-ENG

www.grippple.com

Grippple's policy is one of continuous development and innovation. We therefore reserve the right to alter specifications, etc. without notice.



Grippple Ltd | The Old West Gun Works | Savile Street East | Sheffield S4 7UQ

Tel 0800 018 4264 Fax 0114 275 1155 email info@grippple.com