

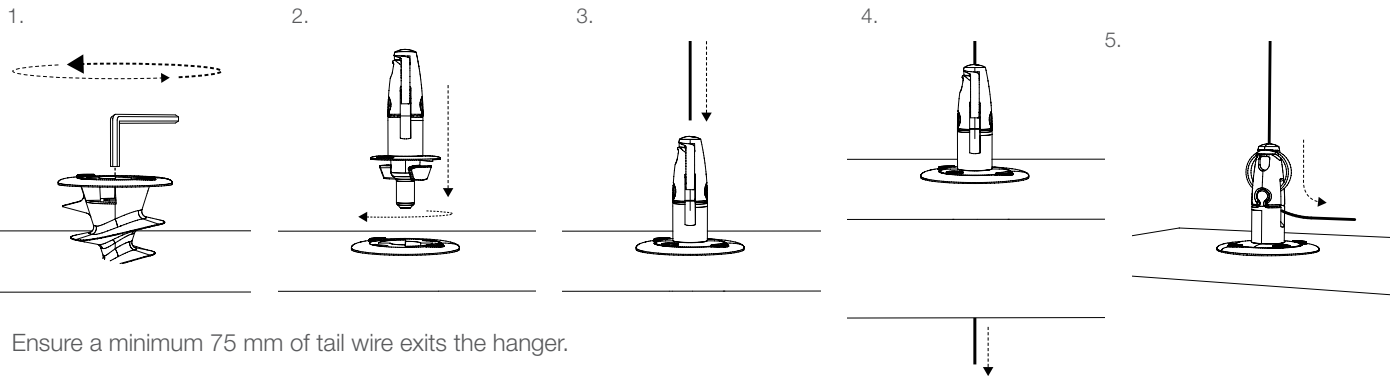
Designed for secure, low profile, rapid installation of acoustic panel applications with easy adjustment.

FEATURES / BENEFITS

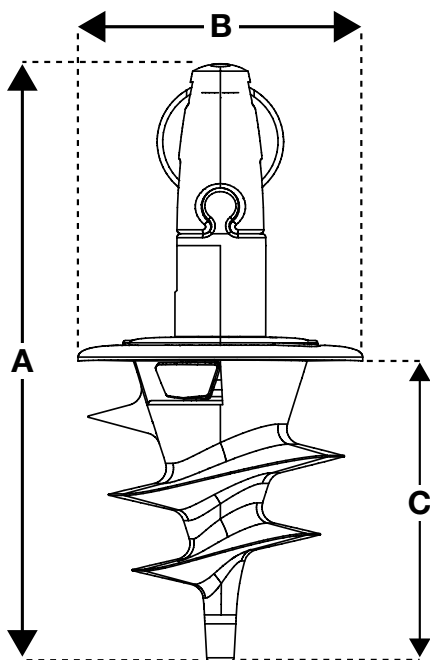
- **Compatible** – Ideal for use with acoustic panels made from fibreglass and dense foam
- **Easy** – Helix locks simply into acoustic panel using an Allen key
- **Versatile** – Used with Angel side exit or Angel central exit
- **Quick** – Angel connects to Helix with quick twist for faster installation
- **Adaptable** – easy to adjust using Angel spring
- **Multi layers** – Central exit model allows multiple panel layers
- **Secure** – One click safety feature
- **Convenient** – Can be pre-installed at point of manufacture



INSTALLATION & ADJUSTMENT



SPECIFICATION



Dimension	mm
A	75
B	35
C	38

AVAILABLE END FIXINGS



For more options on available end fixings please contact us or visit www.gripple.com

SUBMITTAL INFORMATION

Safe Working Load:

Max load rating of this product in a vertical suspension = 15 kg. Minimum load ratings will vary due to the type of acoustic panel material being used. Gripple cannot guarantee a SWL due to this factor. If unsure please contact Gripple Technical Services. Minimum recommended panel thickness 40 mm Suitable for vertical applications only.

Material:

Housing - Zinc Alloy (EN 12844 ZP2)
Roller - Brass (BSEN 12164)
Spring - Acetal (POM)
Plating - Bright Nickel Plating (BS 4758)
Foot - Nylon (Glass fill 30%)