



It's not magic, it's engineering.®

Impact and Airborne Sound Control

GENIEMAT® FFNP

Under Screed Resilient Underlayment



acoustec

technical noise solutions

GENIEMAT® FFNP

Under Screed Resilient Underlayment

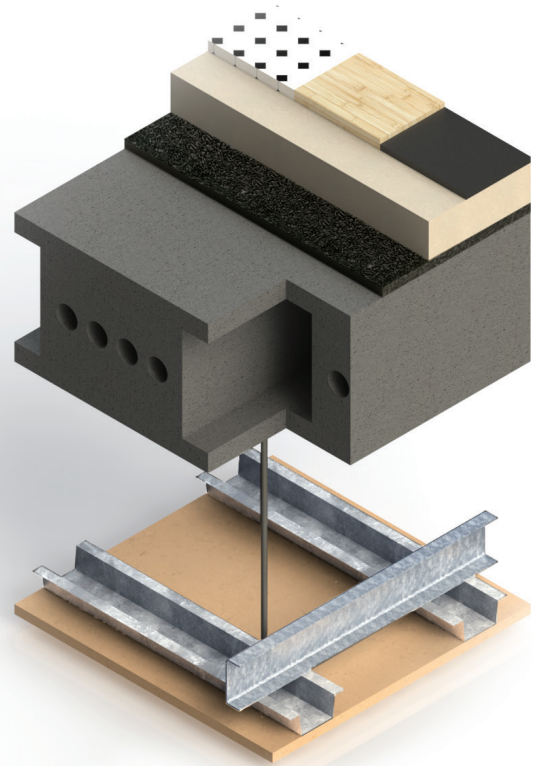
UK EDITION

PRODUCT OVERVIEW

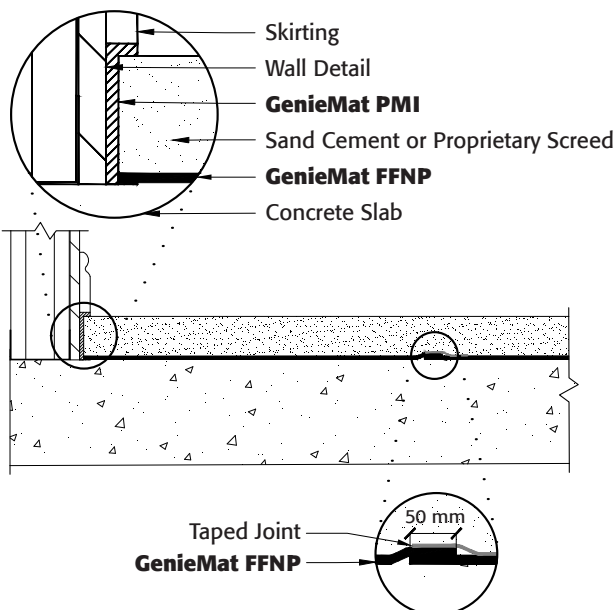


GenieMat FFNP is non profiled resilient underlayment that is used directly under screed in concrete, steel and wood construction, yielding exceptional results for impact sound insulation.

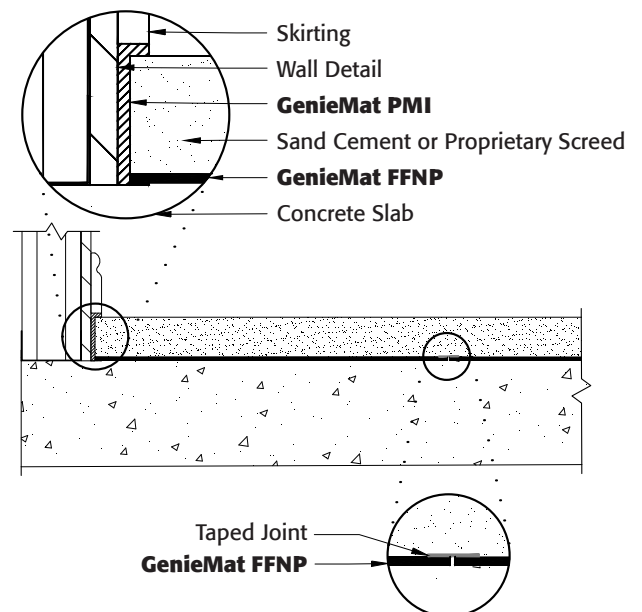
Engineered reduced sound transmission underlay made from 94% recycled rubber content used when sound control is required in residential, education, hospitality, commercial, and healthcare buildings.



Overlap Joint Detail



Butt Joint Detail



SUPERIOR IMPACT ISOLATION PERFORMANCE

TEST REPORT NUMBER	SCREED TYPE	UNDERLAYMENT	BASE ASSEMBLY	AIRBORNE SOUND INSULATION R_w	IMPACT SOUND INSULATION $L_{n,w}$
A-2014_RO_26-F285/86'-41701_E	Sand Cement Screed	GenieMat FF03NP	150 mm Concrete	57	55
A-2014_RO_26-F287/88'-41701_E	Sand Cement Screed	GenieMat FF05NP	150 mm Concrete	57	54

TECHNICAL DATA

	GENIEMAT FF03NP	GENIEMAT FF05NP
DIMENSION	Roll Size: 1.22 m wide, 22.84 m long	Roll Size: 1.22 m wide, 9.14 m long
THICKNESS	nom. 3 mm	nom. 5 mm
ROLL WEIGHT	52 kg/roll	53 kg/roll
ROLL AREA	27.87 m ²	11.15 m ²
ROLLS/PALLET	15	20
LEAD TIME	2-3 working days after receipt of order	2-3 working days after receipt of order
TYPE A HARDNESS (ASTM D2240)	40 durometer	40 durometer
TEMPERATURE STABILITY	-40°C to +115°C	-40°C to +115°C

CONTACT Us

For Your Project Specific Questions

UK +44 1223 257770 | **Middle East** +971 4 813 5501 | **Asia Pacific** +65 8452 6865

E. info@pliteq.co.uk

© Pliteq (UK) LTD. 2019.

®™ Trademarks of Pliteq Inc. The information provided is accurate to the best of our knowledge at the time of issue. However, we reserve the right to make changes when necessary without further notification. Suggested application may need to be modified to conform with local building codes and conditions. We cannot accept responsibility for products that are not used, or installed, to our specifications. All listed dimensions are nominal.



www.pliteq.co.uk